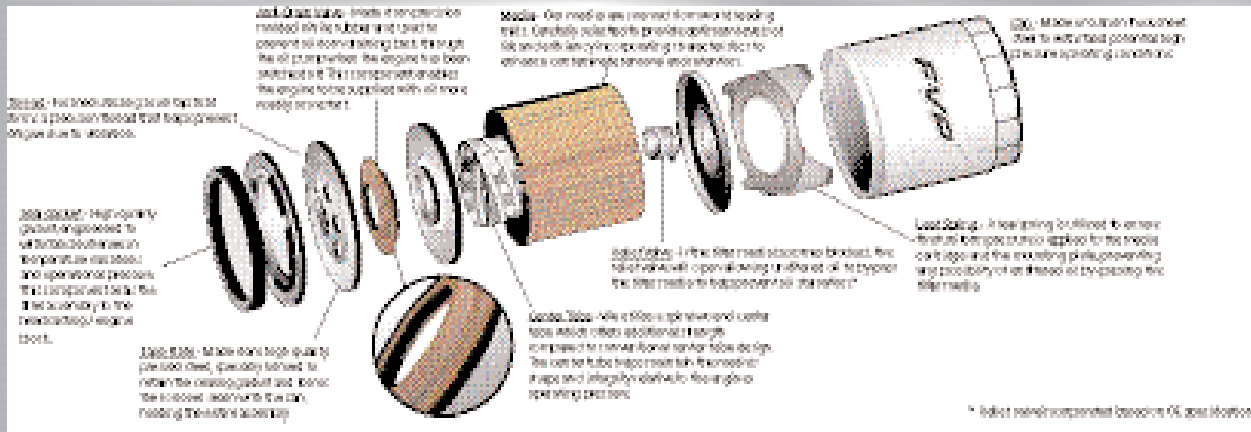




VERIFIED. PROVEN.®

ReliaGuard^{FILTERS}

OIL FILTERS



All FVP ReliaGuard Oil Filters are designed to trap maximum contaminants to protect vital engine components. High baked filter media ensures maximum filtration and unrestricted oil flow.

FVP ReliaGuard Oil Filters meet or exceed O.E. specifications for capacity, efficiency and internal component design and construction.

- Leading application coverage for import & domestic automobiles and light trucks

